

ELECTRICAL AND COMPUTER ENGINEERING DEPARTMENT

Electrical Engineering Major  
(128 Semester Hours)

10/26/2018

COURSE TITLE NUMBER OFF. HR\$ PREREQUISITES

REQUIRED COURSES WITHIN THE ENGINEERING COLLEGE (75 hrs)

CE+EE Core Courses (34 hrs)

Orientation*a	ENGR 100		0	Admission to the College of Engineering
Introduction to Computing and Programming	CS 107		4	Credit or concurrent registration in MATH 180
Introduction to Electrical and Computer Engineering	ECE 115	F,Sp	4	Credit or concurrent registration in MATH 180
Circuit Analysis	ECE 225	F,Sp	4	credit or concurrent.reg. in MATH 220; and C or better in PHYS 142 and ECE 115
Introduction to Logic Design	ECE 265	F,Sp	4	MATH 180; and grade of C or better in ECE 115
Introduction to Embedded Systems	ECE 266	F,Sp	4	CS 107; and credit or concurrent registration in ECE 265
Discrete and Continuous Signals and Systems	ECE 310	F,Sp	3	MATH 220; and credit or conc.reg. in ECE 225 (ECE 210 for non-ECE students)
Electronics I	ECE 340	F,Sp	4	Grade of C or better in ECE 225
Probability and Random Processes for Engineers	ECE 341	F,Sp	3	Grade of C or better in MATH 210
Senior Design I	ECE 396	F,Sp	2	ENGL 161; and senior standing
Senior Design II	ECE 397	F,Sp	2	ECE 396
Professional Development Seminar	ECE 499	F,Sp	0	Open only to seniors; and approval of the dept. Must be taken in the student's last semester of study.

EE-only Core Courses (24 hrs)

Introduction to Electromagnetics and Applications	ECE 322	F,Sp	4	ECE 225
Solid-State Device Theory	ECE 346	F,Sp	4	MATH 220, gr. of C or better in ECE 115, and a gr. of C or better in PHYS 142
Introduction to analog and digital communications	ECE 311	F,Sp	4	Grade of C or better in ECE 310; and grade of C or better in ECE 341
Digital Signal Processing I	ECE 317	F,Sp	4	Grade of C or better in ECE 310
Electronics II	ECE 342	F,Sp	4	ECE 340
Principles of Automatic Control	ECE 350	F,Sp	4	MATH 310; and gr. of C or better in ECE 310

EE Technical Electives (17 hrs)

No more than a total of two courses below the 400 level can be used to meet the technical electives requirement.

Also, at most one course from outside the Electrical and Computer Engineering Department may be used to meet the technical elective requirement.

Computer Communication Networks I	ECE 333	F,Sp	4	CS 107; and ECE 341
Integrated Circuit Engineering	ECE 347	F	3	CHEM 122/123 and grade of C or better in ECE 225
Computer Organization	ECE 366	F,Sp	3	ECE 266; and credit or concurrent registration in CS 251
Pattern Recognition I	ECE 407	Sp	3	ECE 341
Network Analysis	ECE 410	F	3	MATH 310 and gr. of C or better in ECE 310
Introduction to Filter Synthesis	ECE 412	Sp	3	Grade of C or better in ECE 310
Image Analysis and Computer Vision I	ECE 415	F	3	MATH 310; or grade of C or better in ECE 310
Digital Signal Processing II	ECE 417	F	4	ECE 317
Statistical Digital Signal Processing	ECE 418	Sp	3	ECE 317 and ECE 341
Introduction to Antennas and Wireless Propagation	ECE 421	F	3	ECE 225 and ECE 322
Electromagnetic Compatibility	ECE 423	Sp	4	Math 310 and ECE 322
RF and Microwave Guided Propagation	ECE 424	F	4	ECE 225 and ECE 322
Modern Linear Optics	ECE 427	F	3	ECE 310 and ECE 322
Analog Communication Circuits	ECE 431	F	4	ECE 311 and ECE 340
Digital Communications	ECE 432	F	3	MATH 310, ECE 311 and ECE 341
Multimedia Systems	ECE 434	F	3	ECE 310
Computer Communication Networks II	ECE 436	Sp	3	ECE 333
Wireless Communications	ECE 437	Sp	3	ECE 311 and ECE 341
Nanoelectronics	ECE 440	F	3	ECE 346; or consent of the instructor
Power Semiconductor Devices & Integ. Circuits	ECE 442	Sp	4	ECE 346
Analysis & Design of Power Electronic Circuits	ECE 445	F	4	ECE 342

Technical Electives Continued on Other Side

Technical Electives Continued Below

Transistors	ECE 448	Sp	3	ECE 346
Microdevices and Micromachining Technology	ECE 449	Sp	4	ECE 347; or consent of the instructor
Control Engineering	ECE 451	F	3	ECE 350
Robotics: Algorithms and Control	ECE 452	Sp	3	Grade of C or better in ECE 310; and MATH 310
Electromechanical Energy Conversion	ECE 458	F	3	Grade of C or better in ECE 225
Digital Systems Design	ECE 465	F,Sp	3	Gr. of C or better in PHYS 142; and Gr. of C or better in ECE 265
Advanced Computer Architecture	ECE 466	F,Sp	3	ECE 366 or CS 261
Introduction to VLSI Design	ECE 467	F,Sp	4	ECE 340
Analog and Mixed-Signal Integrated Circuits	ECE 468	Sp	4	ECE 467
Hardware Descrip Language Modeling & Datapath Design	ECE 469	Sp	4	ECE 366; or CS 362
Computer Systems	CS 361		3	(CS 211+CS 261 + CS 251) or (CS 107+CS 201) or (CS 107+CS 151+CS 251)
Computer Algorithms I	CS 401		3	Grade of C or better in MCS 360; or Grade of C or better in CS 202
Fundamentals of Modern Quantum Theory	PHYS 240		3	C or better in MATH 181; and C or better in PHYS 142 or B or better in PHYS 107
Coding and Cryptography	MCS 425		3	Gr. of C or bett. in MATH 215;&Gr. of C or bett. in MATH 310 or Gr. of C or bett. in MATH 320; or cons. of instr.
Numerical Analysis	MCS 471		3	Gr. of C or bett. in MCS 275 or Gr of C or bett. in CS 102 or Gr. of C or bett. in CS 108 or consent of instructor.
Linear and Non-Linear Programming	STAT 471		3	Grade of C or better in MATH 310

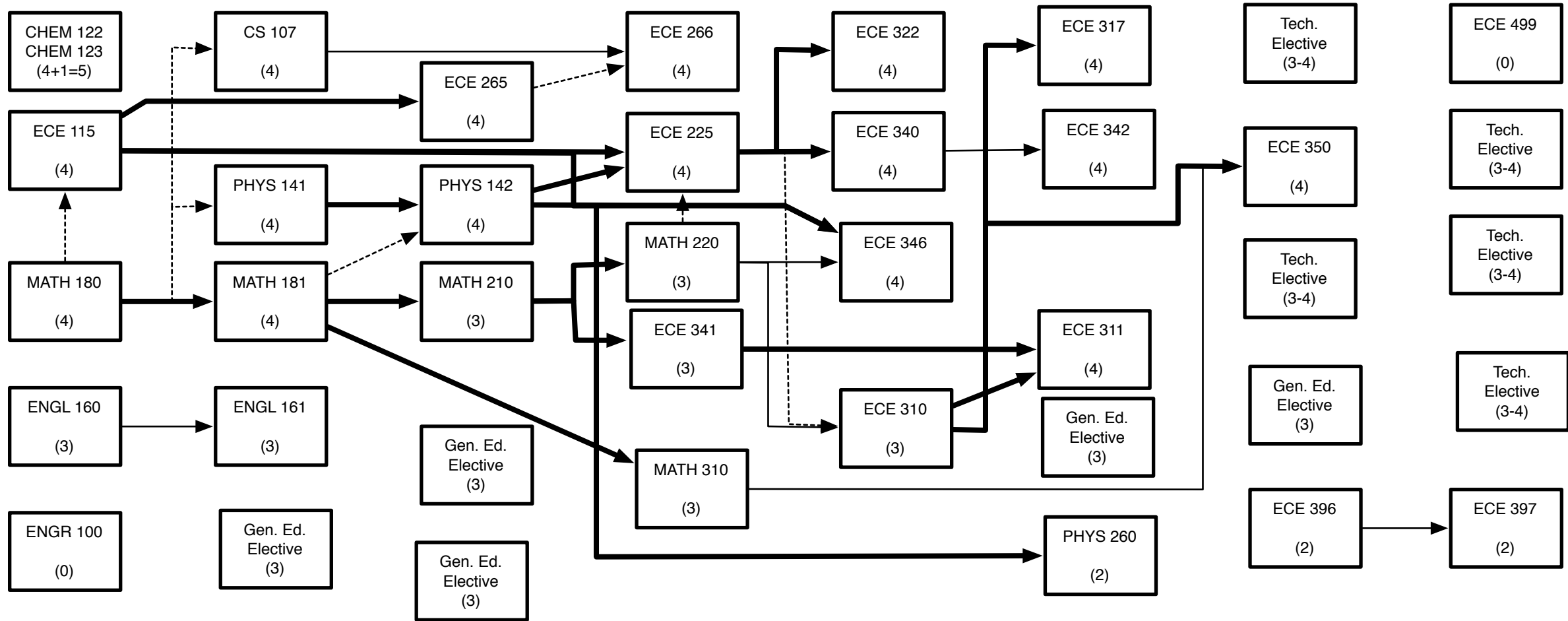
NONENGINEERING AND GENERAL EDUCATION REQUIREMENTS (53 hrs)

COURSE TITLE	NUMBER	HR	PREREQUISITES
General Chemistry I Lecture*c	CHEM 122	4	Grade of C or better in CHEM 101 or adequate performance on the UIC Chemistry placement examination; and concurrent registration or Grade of C or better in CHEM 123
General Chemistry I Laboratory*b,*c	CHEM 123	1	Gr. of C or better in CHEM 101; and concurrent registration or Grade of C or better in CHEM 122
Academic Writing I:WAPC	ENGL 160	3	Performance on Dept. Placement Test
Academic Writing II:WIR	ENGL 161	3	ENGL 160 or the equivalent
Exploring World Cultures course*a		3	
Understanding the Creative Arts course*a		3	
Understanding the Past course*a		3	
Understanding the Individual and Society course*a		3	
Understanding US Society course*a		3	
Calculus I*b	MATH 180	4	C or better in MATH 121 or app. perf. on the dept. pl. test
Calculus II*b	MATH 181	4	C or better in MATH 180
Calculus III*b	MATH 210	3	C or better in MATH 181
Introduction to Differential Equations I	MATH 220	3	C or better in MATH 210
Applied Linear Algebra	MATH 310	3	"C" or better in MATH 181
General Physics I (Mechanics)*b	PHYS 141	4	C or better or concurrent registration in MATH 180; or approval of the dept; and C or better in PHYS 100 or adequate performance on the departmental placement test.
General Physics II (Electricity & Magnetism)*b	PHYS 142	4	Grade of C or better in PHYS 141; and grade of C or better or concurrent registration in MATH 181
Introduction to Thermal Physics	PHYS 260	2	Grade of C or better in MATH 181; and Grade of C or better in PHYS 142; or Grade of B or better in PHYS 107. Recommended background: Credit or concurrent registration in MATH 220

\*a-Consult General Education section of the catalog for approved courses in this category; \*b-Course approved for the Analyzing the Natural World General Education category, \*c-General Education credit is given for succesful completion of both CHEM 122 and CHEM 123.

# UIC Electrical Engineering Curriculum - Suggested Schedule of Courses

Year 1		Year 1		Year 2		Year 2		Year 3		Year 3		Year 4		Year 4	
Sem 1		Sem 2		Sem 1		Sem 2		Sem 1		Sem 2		Sem 1		Sem 2	
(16 hours)		(18 hours)		(17 hours)		(17 hours)		(16 hours)		(17 hours)		(15-17 hours))		(11-14 hours)	



- co-requisite
- pre-requisite
- Grade C or better pre-requisite