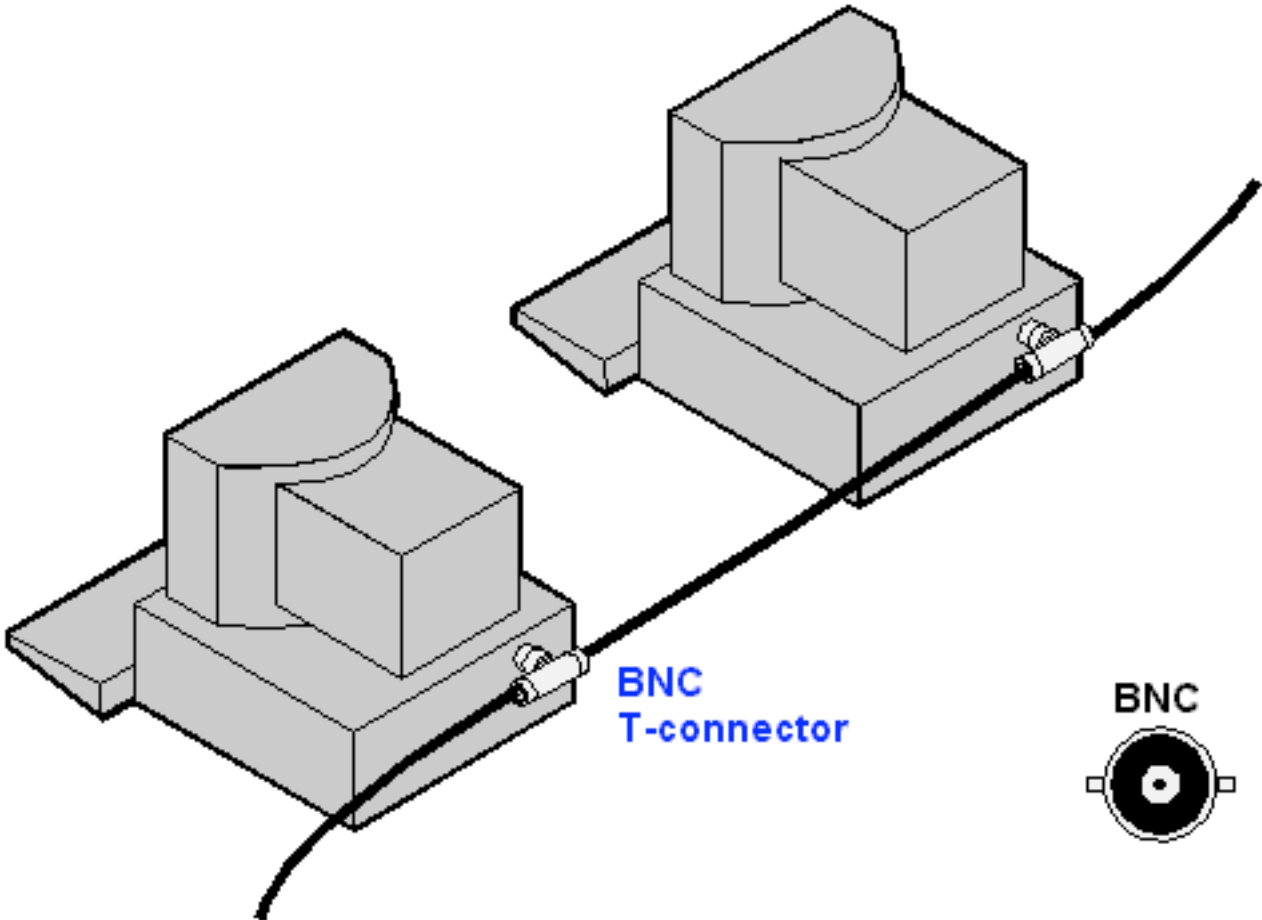


Lecture 32: ethernet, switches, hubs ... and maybe wifi



Figure 5.22 ♦ Ethernet frame structure

From Computer Desktop Encyclopedia
© 1998 The Computer Language Co. Inc.



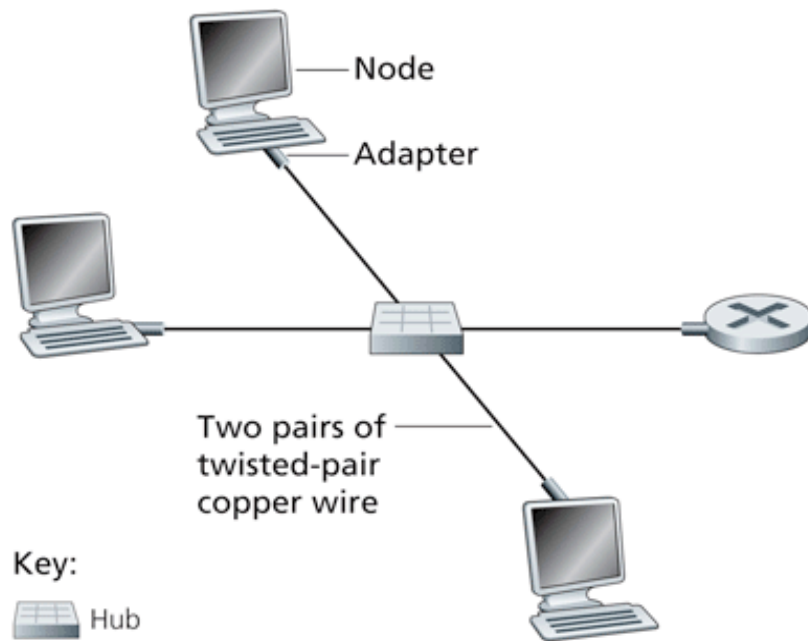
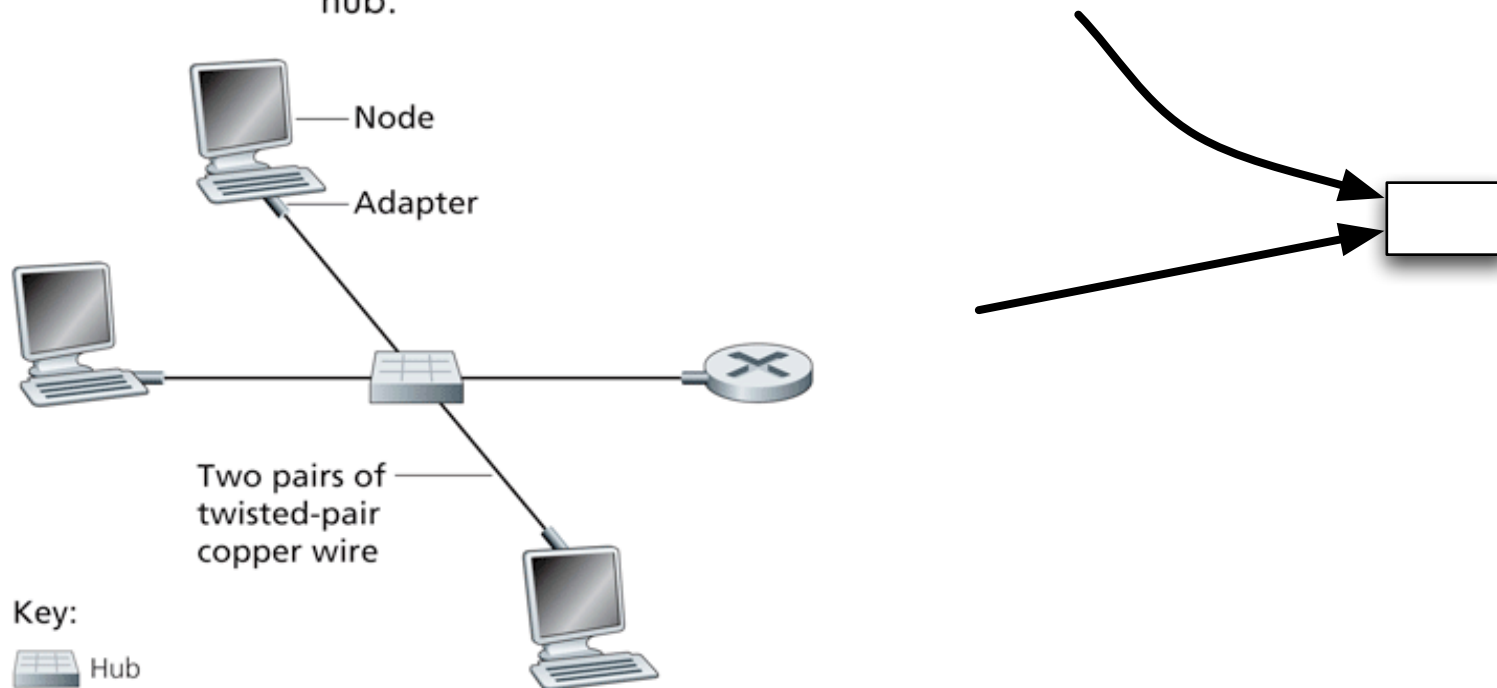
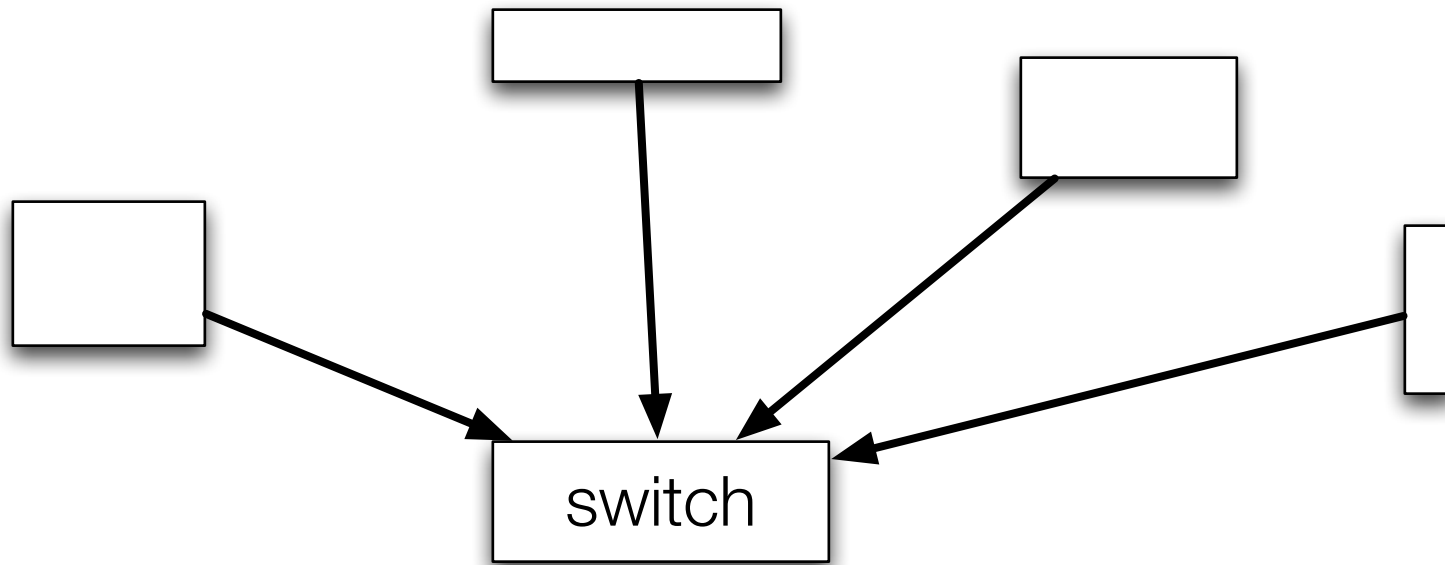
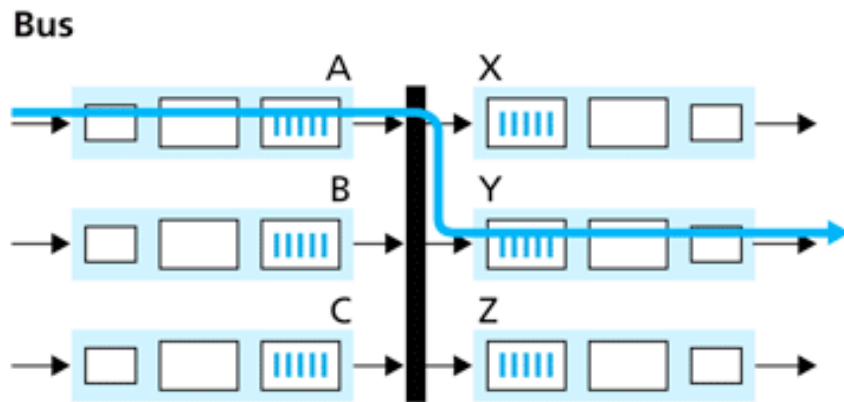
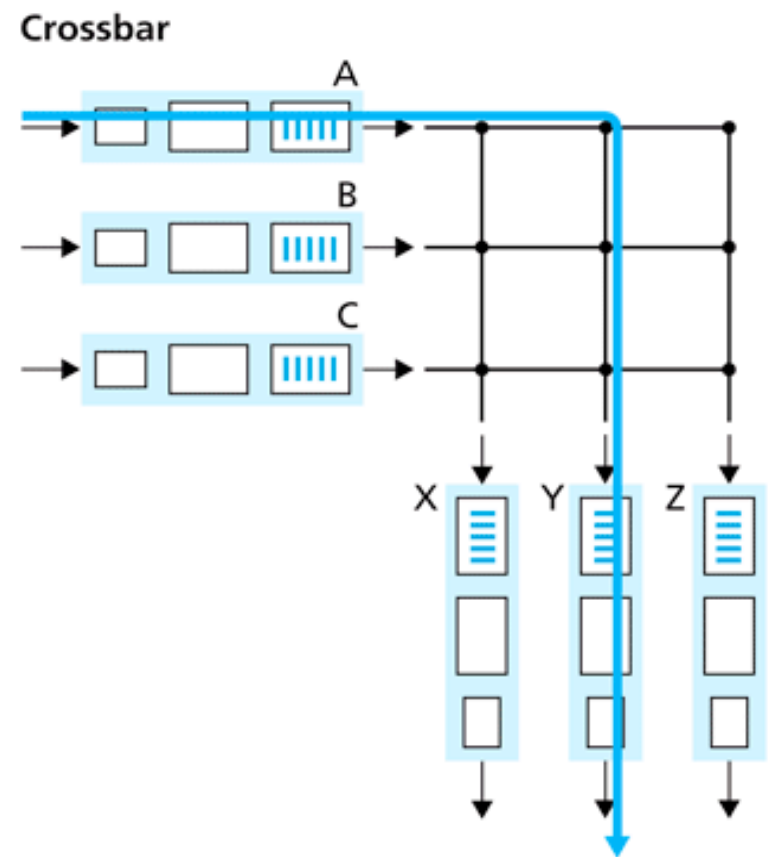
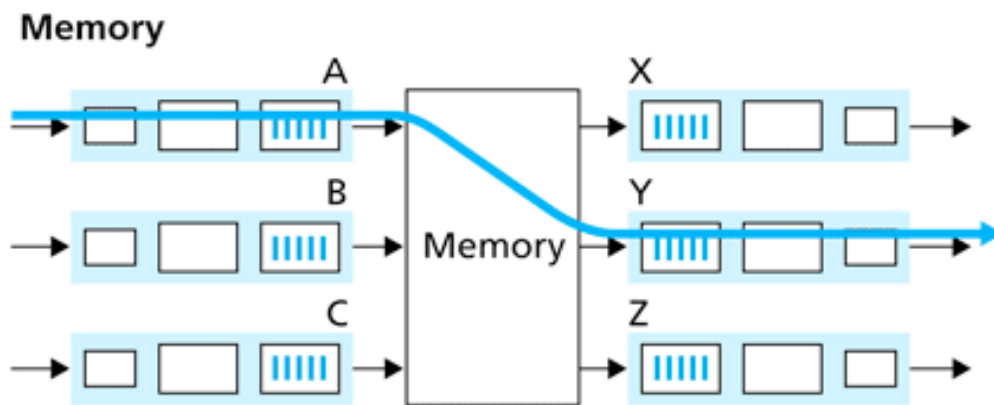


Figure 5.21 ♦ Star topology for Ethernet. Nodes are interconnected with a hub.







Key:



Figure 4.8 ♦ Three switching techniques

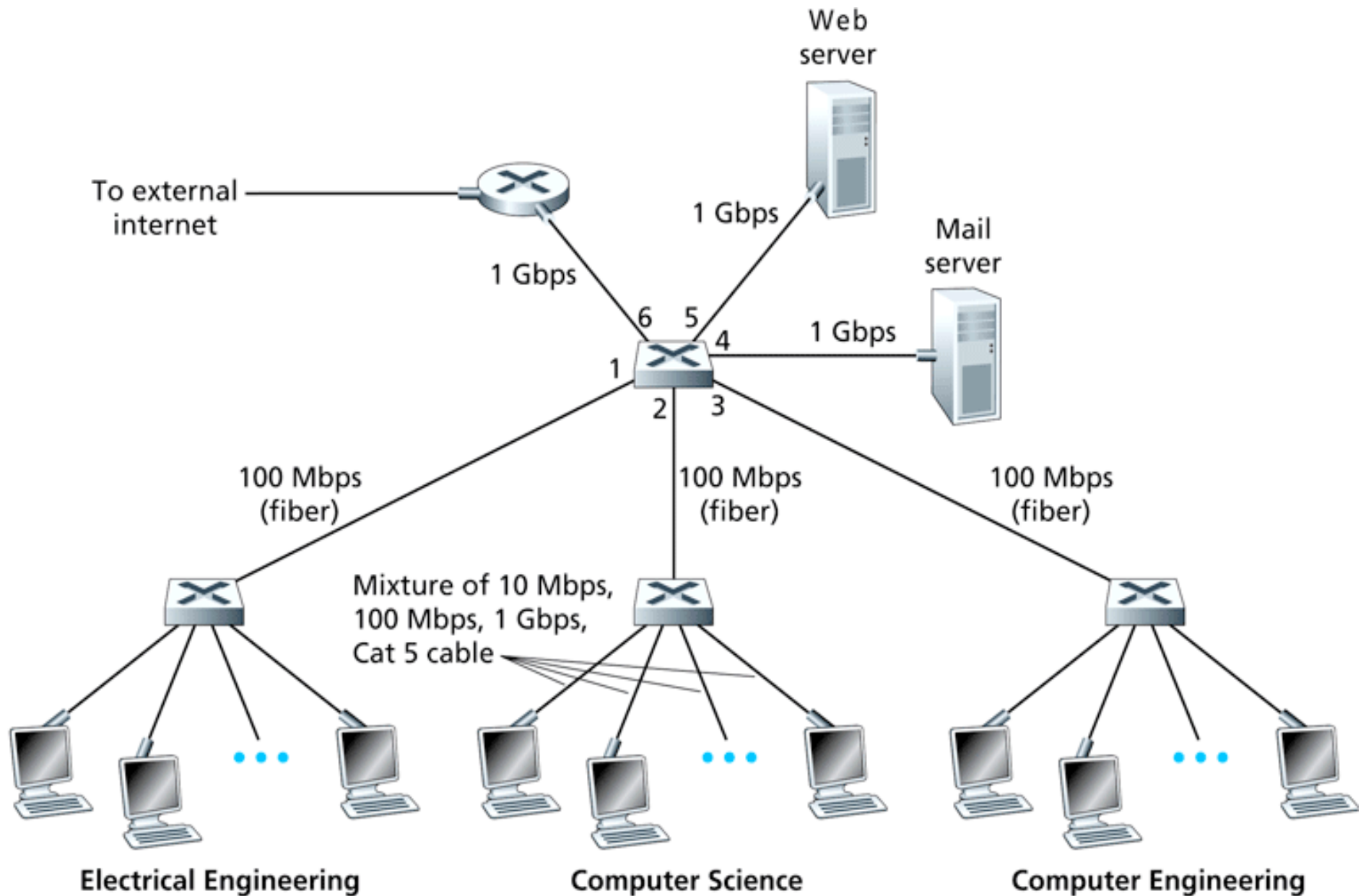


Figure 5.26 ♦ An institutional network using a combination of hubs, Ethernet switches, and a router