

Lecture 3: Core Internet Concepts

Reading: 1-1.3.3, 1.5

Homework 0 due on Monday!

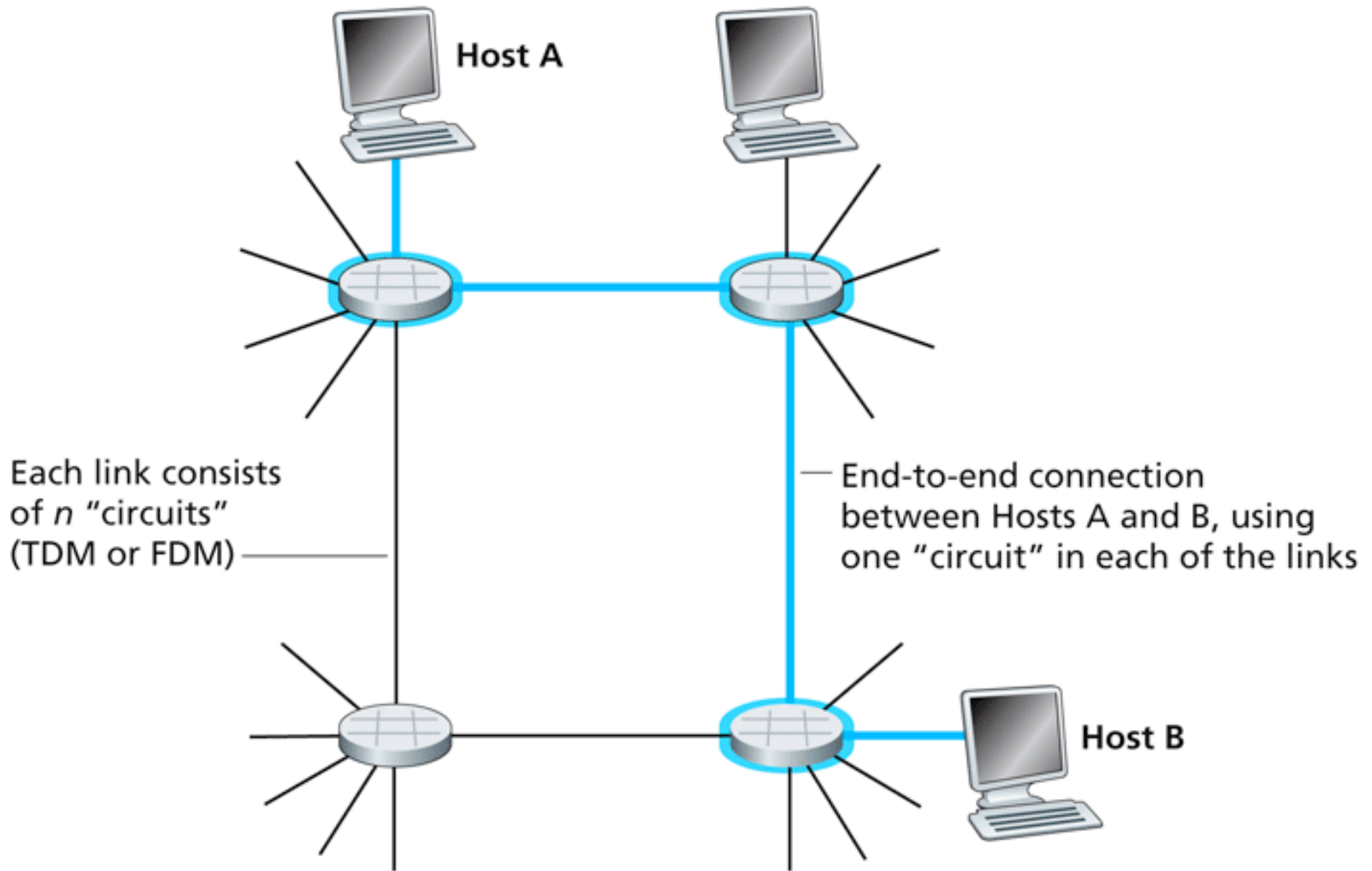


Figure 1.8 ♦ A simple circuit-switched network consisting of four switches and four links

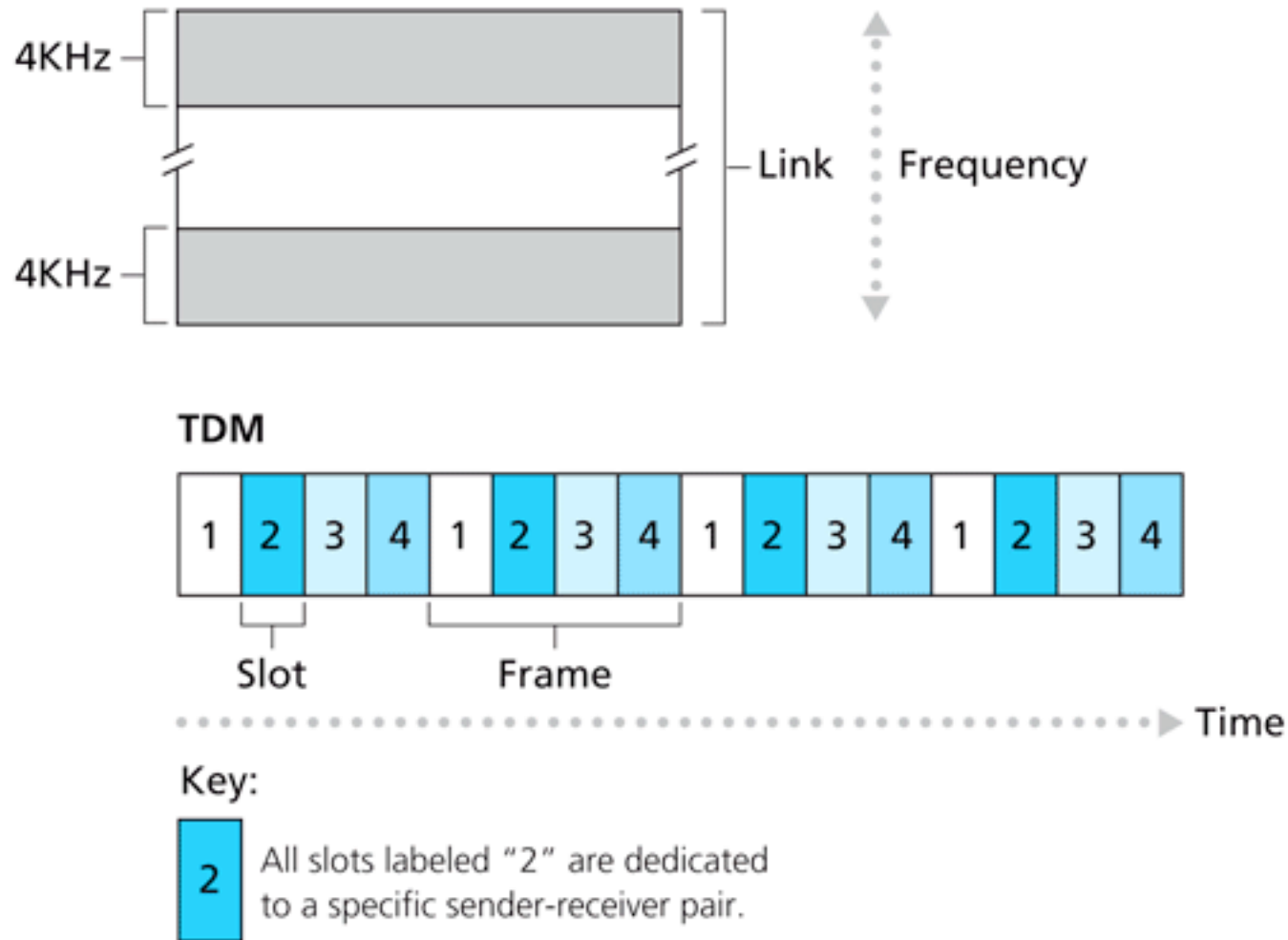


Figure 1.9 ♦ With FDM, each circuit continuously gets a fraction of the bandwidth. With TDM, each circuit gets all of the bandwidth periodically during brief intervals of time (that is, during slots).

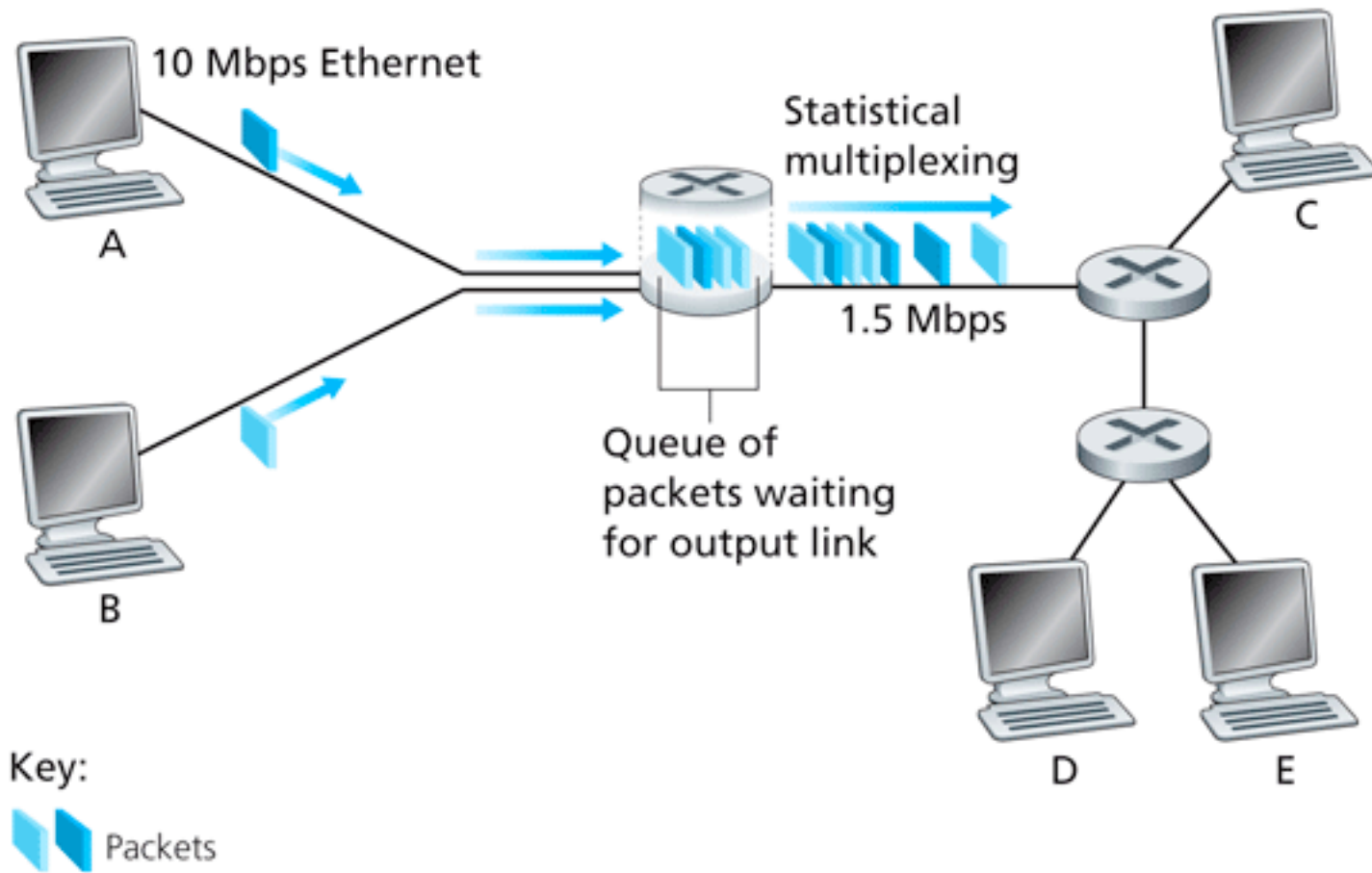


Figure 1.10 ♦ Packet switching

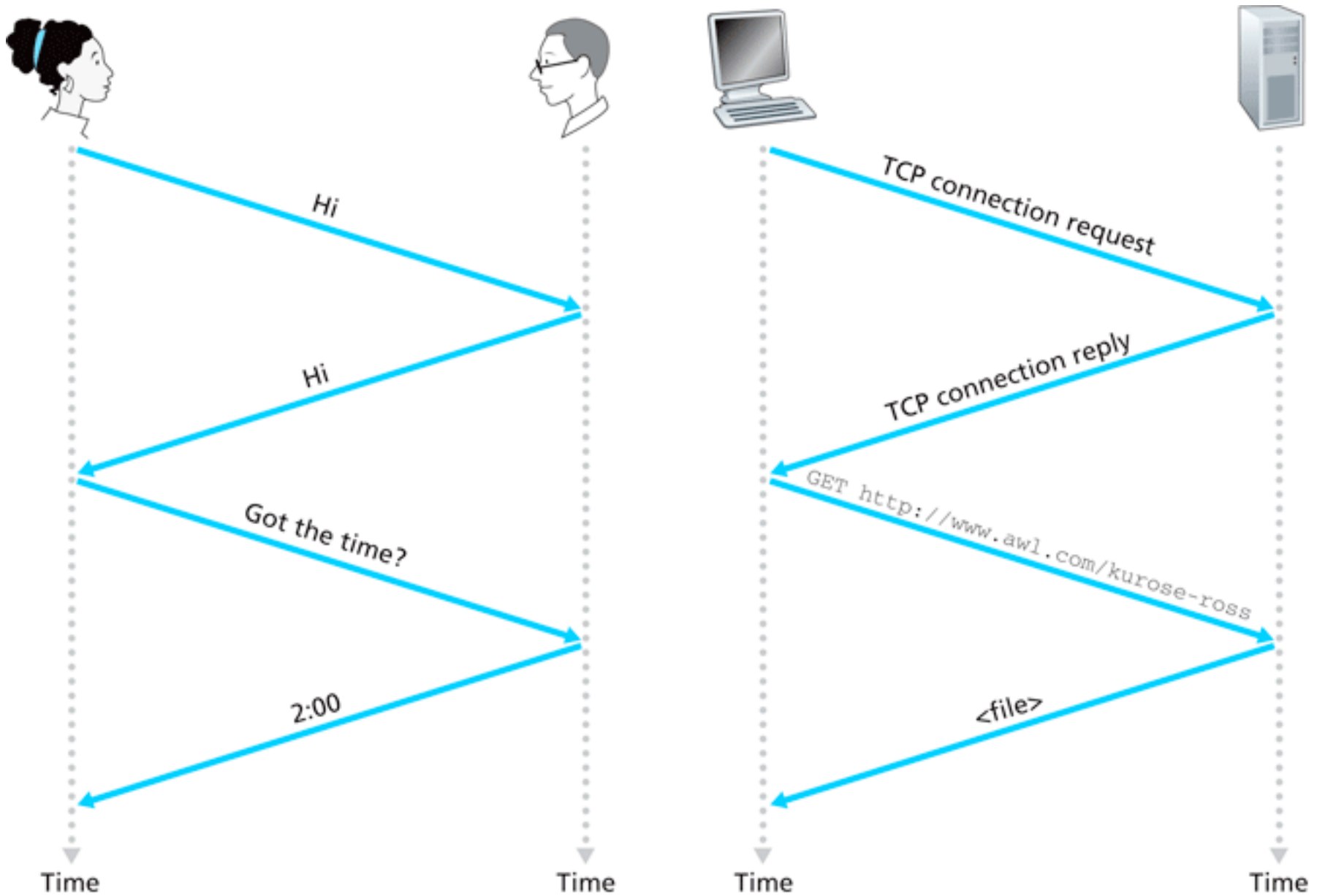
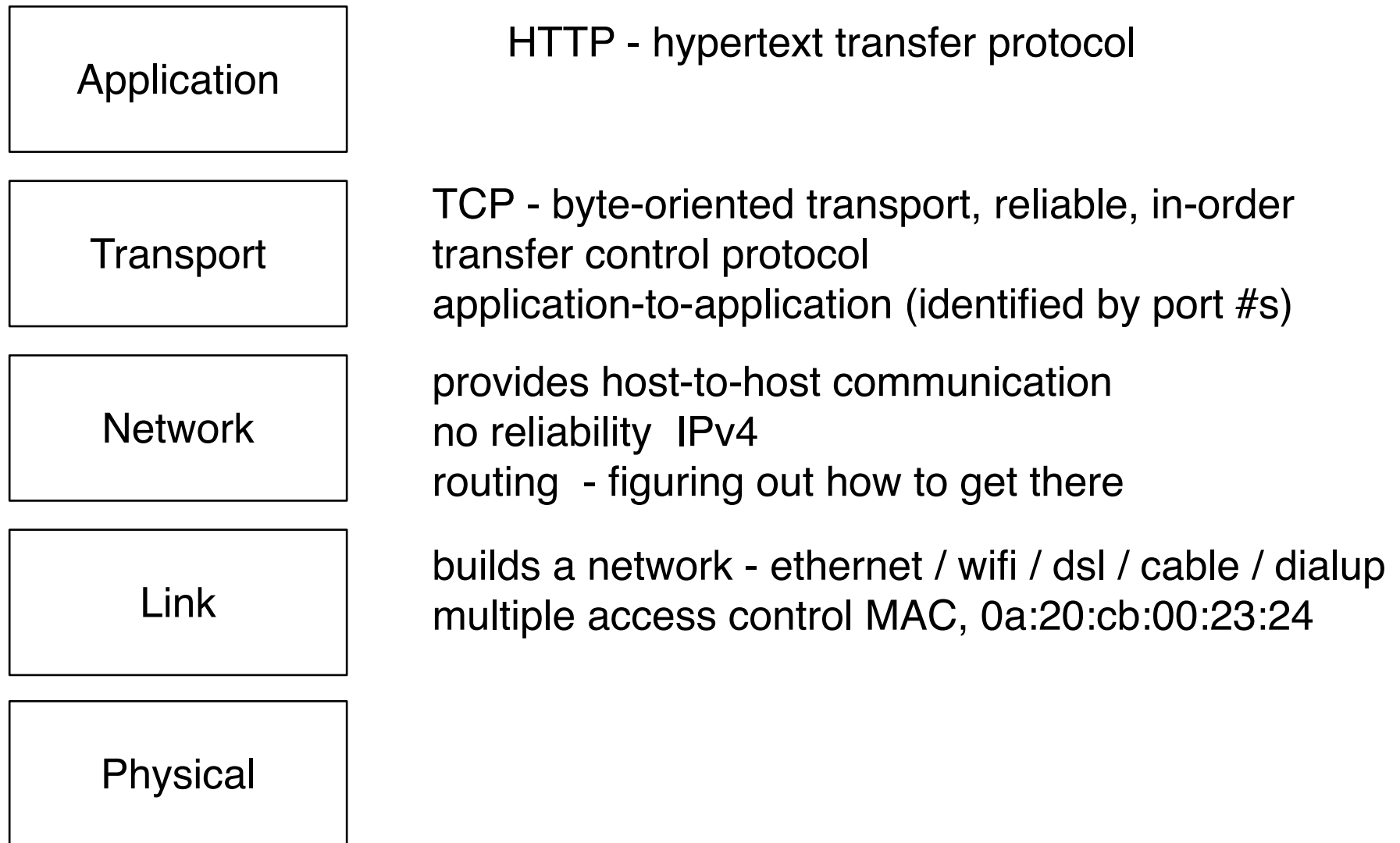


Figure 1.2 ♦ A human protocol and a computer network protocol

layered protocol model / protocol stack



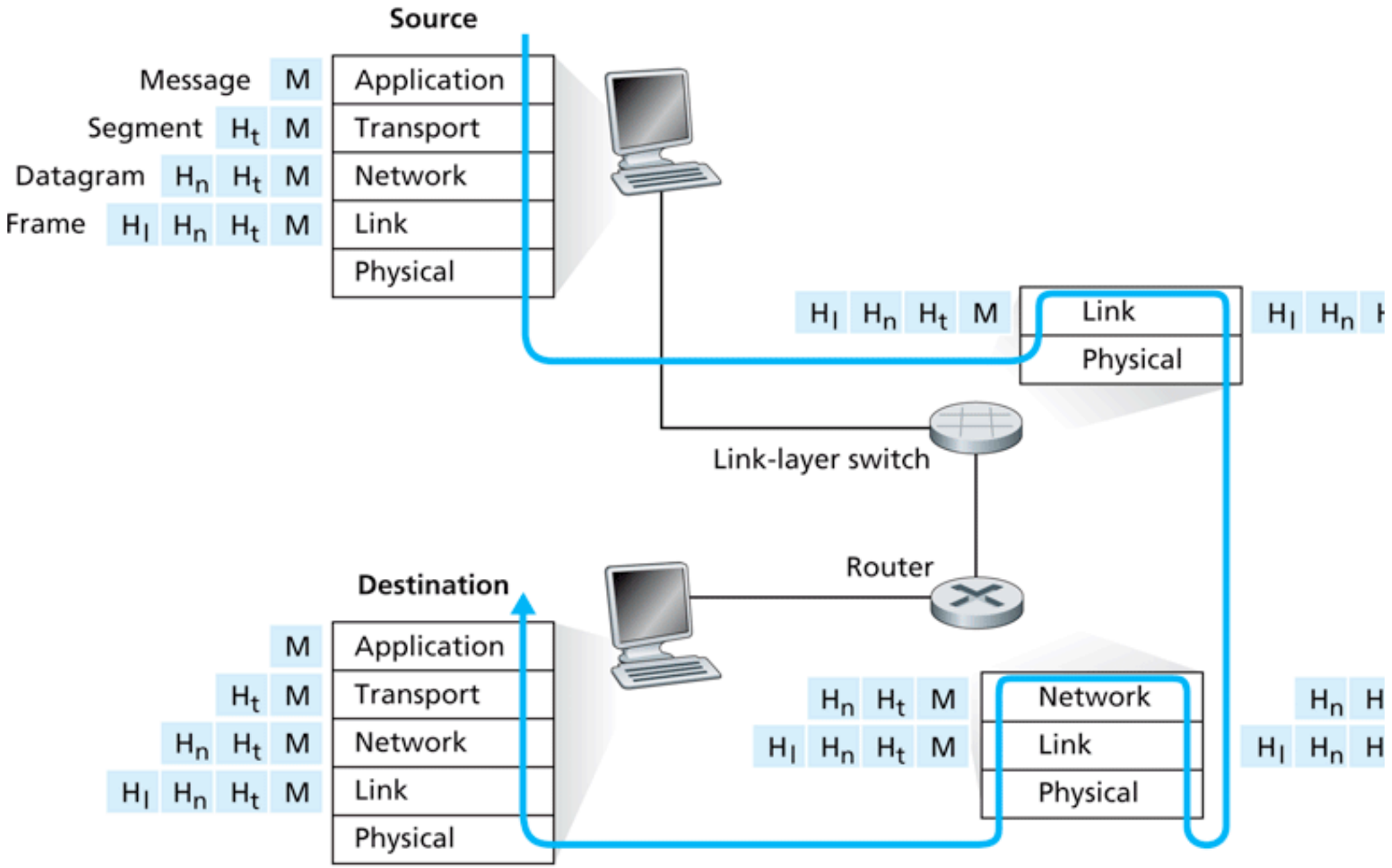


Figure 1.20 ♦ Hosts, routers, and link-layer switches; each contains different set of layers, reflecting their differences in functionality.